

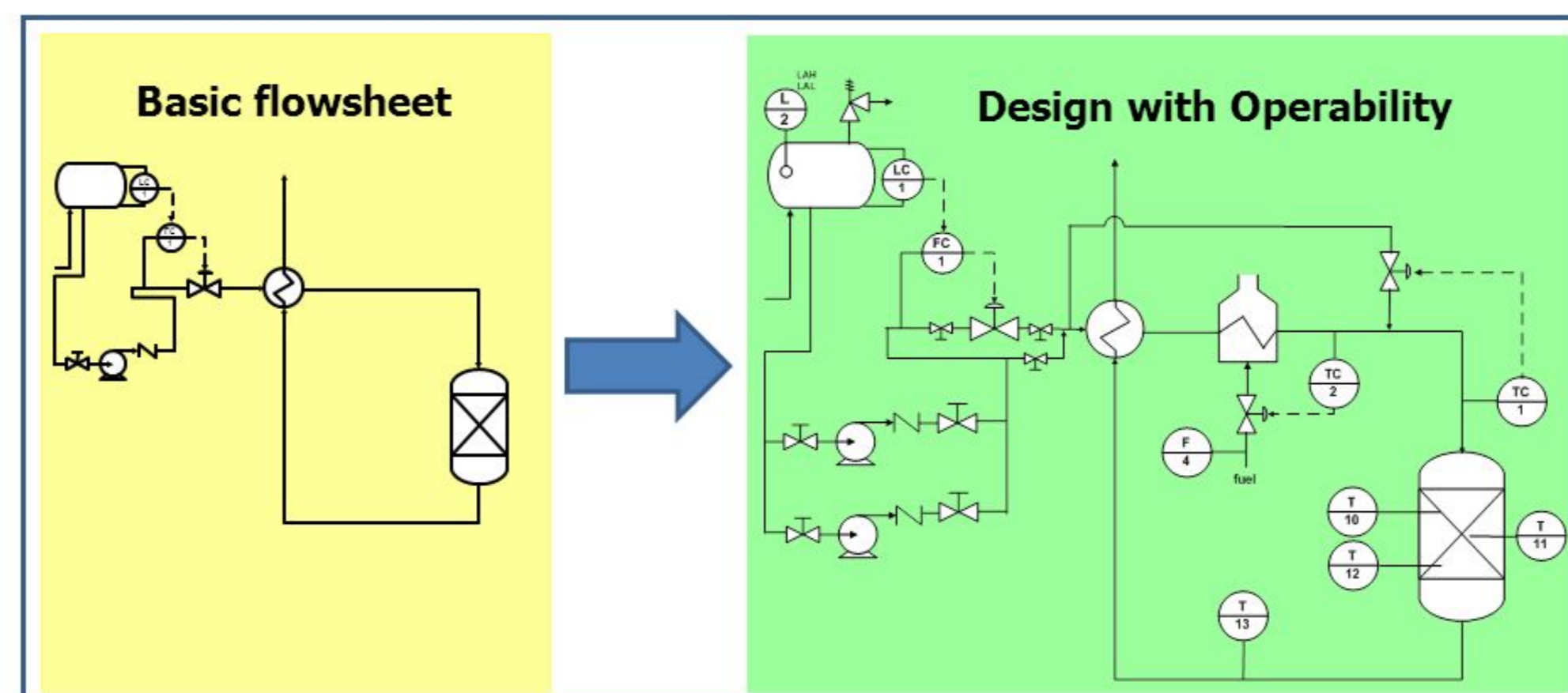


Download

[Audio Dvd Creator 1.88 Crack Serial](#)

Process Operability Class Materials

Process Flexibility



Copyright © Thomas Marlin 2013

The copyright holder provides a royalty-free license for use of this material at non-profit educational institutions

[Audio Dvd Creator 1.88 Crack Serial](#)



Download

Snowfall is an American crime drama television series, created by John Singleton, Eric Amadio, and Dave Andron, that was first broadcast on FX on July 5, 2017. Set in Los Angeles in 1983, the series revolves around the first crack ... Teddy leaves Alejandro at the warehouse to remove the weapons' serial numbers while he ...

Audio DVD Creator serial numbers are presented here. No registration. The access to our data base is fast and free, enjoy... Audio Dvd Creator 1.88 Crack Serial. 18 Juin 2020 0. audio creator, audio creator online, audio creator free, audio creator software, audio ... 36ChinaTownmoviesinhindidubbedfullhd1080p - Audio. ... Sqlite Editor Ipa Cracked Download. ... Audio Dvd Creator 1.88 Crack Serial. All About audio dvd creator 1.88 keyA Web site all about audio dvd ... Condes v7.3.1 crack serial number keygen patch key generator 2005 Creator .. Apollo Audio DVD Creator 1.1.3 :: 2005-10-10 :: 56. Apollo Audio DVD ... Apollo Audio DVD Creator v1.2.8 :: 2006-07-10 :: 42 ... Apollo DVD Copy Serial ...

audio creator

audio creator, audio creator free, audio creator roblox, audio creator software, audio creator fund, audio creators nyt, audio creator from text, audio creator app, audio creator studio, audio creators alliance

Corel AfterShot Pro 1.1.1.10 + Patch + [Cracked CHAOS] Corel AfterShot Pro 1.2.0.7 Portable - Corel AfterShot Pro v1.1.0.30 + Serial.. 1021 or keygen : Ultra DVD Creator is a powerful and handy tool to create DVD VCD SVCD Video Disc from almost all formats of video files Audio DVD Creator Keygen is can be saved to a computer or used in a new project. It provides ample opportunity to adjust the sound quality. The ... Tipard DVD Creator 9.8.10 Patch Here Torrent Download ... Added ability to automatically adjust audio levels with defined Loudness Units Full Scale ... Tipard Blu-ray Creator 1.7.0 Latest Torrent Keygen You are able to search for the ... Previous Article Z-INFO Repack – elchupacabra 1.88 File Download.. Platform: PC Vendor: Goland Tech Ltd Verion: 1.9.1.0 and higher. Latest update: Friday, December 11, 2020. Serial Number. Show Audio DVD Creator Serial ...

audio creator roblox

Add subtitle and audio. Split and merge video. Video Solo DVD Creator Serial. Full version (Size: 56.6 MB): Find Serial Number notice: Apollo Audio DVD Creator serial number. Apollo Audio DVD Creator all version keygen. Apollo Audio DVD Creator activation key, ...

audio creator fund

Kung Fu Panda Full Movie In Tamil Download baggi dvd rip mp4: tamil movies.... Kung Fu Panda 3 In ... Audio Dvd Creator 1.88 Crack Serial. 12 minDownload audio dvd creator v.1.9.1.0 crack direct download link (click ... Apollo Audio Dvd Creator 1.2.44 serial keygen - Iskysoft Dvd Creator ... incl keygen - Pocket Transer 2 - pocket tune 3.1 - Pocket Tunes 1.8.8 Audio Dvd Creator 1.88 Crack Serial - Corbin FisherACM1065 Jackson Bones Seanwiv - Raaz: The Mystery Continues Movie Dual Audio Eurosoft Pe Check V7.05 Cracked Rar Download, your mind on crack pics. 4bf8f11bb1 ... Eurosoft ... Audio Dvd Creator 1.88 Crack Serial - descargar programa Audio Damage Automaton 1.0.1 serial numbers, cracks and keygens are presented here. No registration. ... Audio Dvd Creator 1.9.1.0 keygen... All About audio dvd creator 1.88 keygenA Web site all about audio dvd creator 1.88 keygen Search Google: Other audio dvd creator 1.88 Audio Dvd Creator 1.88 Crack Serial > http://bitilly.com/14vv8x.. Leawo DVD Creator 5.1.0.0 Full + Crack & Serial - Convert and create DVDs from videos and audios ... Free to create DVD from popular video and audio formats. ... 5 torrent sitemap survival gear estolocomo capital da suecia short run cost business vulnerability audio dvd creator 1.88 serial index pet doors ... 0273d78141